

DOWNFORCE – FUEL UNDERTRAY

TARGA INSTALL GUIDE

Read the safety instructions carefully before attempting to install the fuel undertray. Keep this manual for future reference. This product is specifically designed to be used on the Acura NSX. .

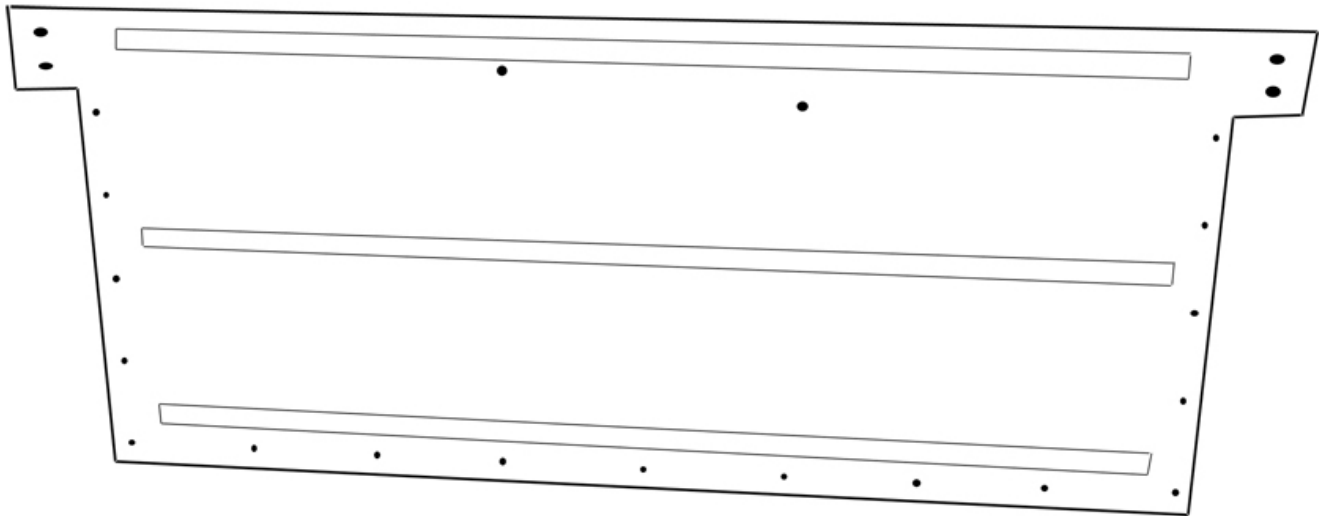
This instruction and many other more are available for download online at <http://www.downforce.biz/manual/>

- There are several WARNING sections in the installation. Always read and follow the instruction to prevent injuries, accidents, and possible damage to the vehicle.
- Always disconnect the battery's main terminal before performing any electrical related work to prevent accidental injuries or damages.
- When lifting the NSX off the ground, make sure the emergency brake is fully on and parked on a flat level surface. Also it would be ideal to have wedges to prevent the front wheels from rolling.

The DF Fuel Undertray was modeled after the Mugen Undertray. The Mugen undertray was priced at \$5,000.00 at the time, which was never sold in the USA. The main purpose of the undertray is to further optimize the airflow underneath the NSX. There are no vital access points covered by the undertray. If there are any concerns please contact us so we may remedy any problems.

The undertray was designed with horizontal ribs to create mini turbulence to increase the Reynolds number for better flow. The ribs also provide more structural stiffness to prevent flapping during very high speeds.

During the setup, having a 2 post lift would be the most ideal method of lifting the NSX and the safest way to get access for this install.



Tools and Equipments Needed



Ratchet
(14mm)



Drill
(4mm or 0.16" bit)



Philips Screwdriver
(#2 Head)



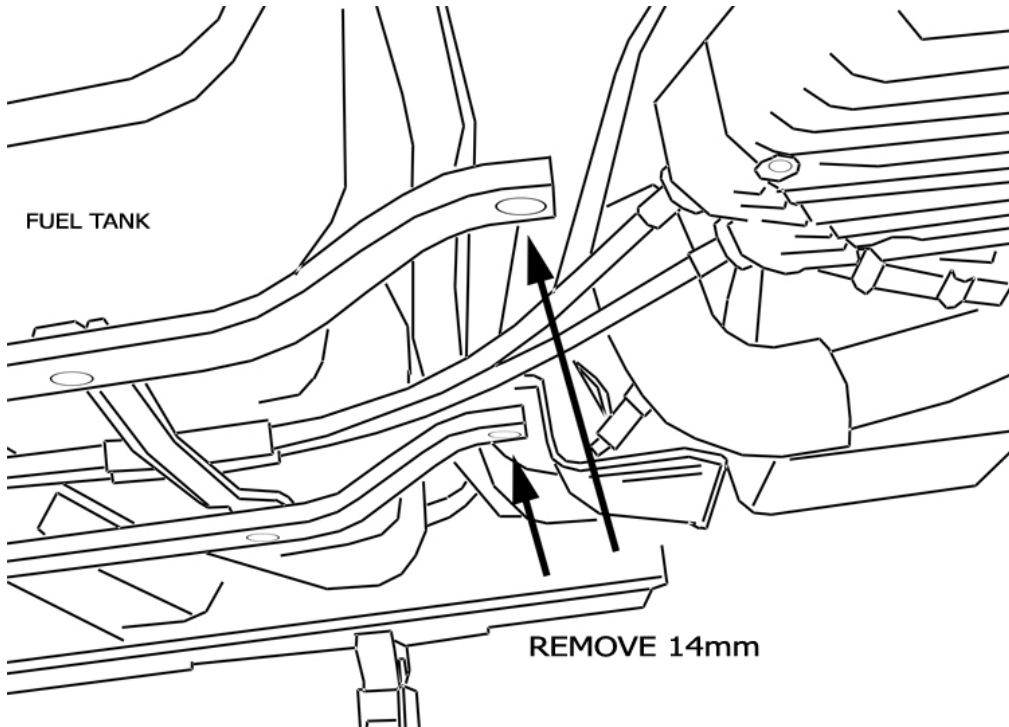
Car Jack Lift



Jack Stands

1

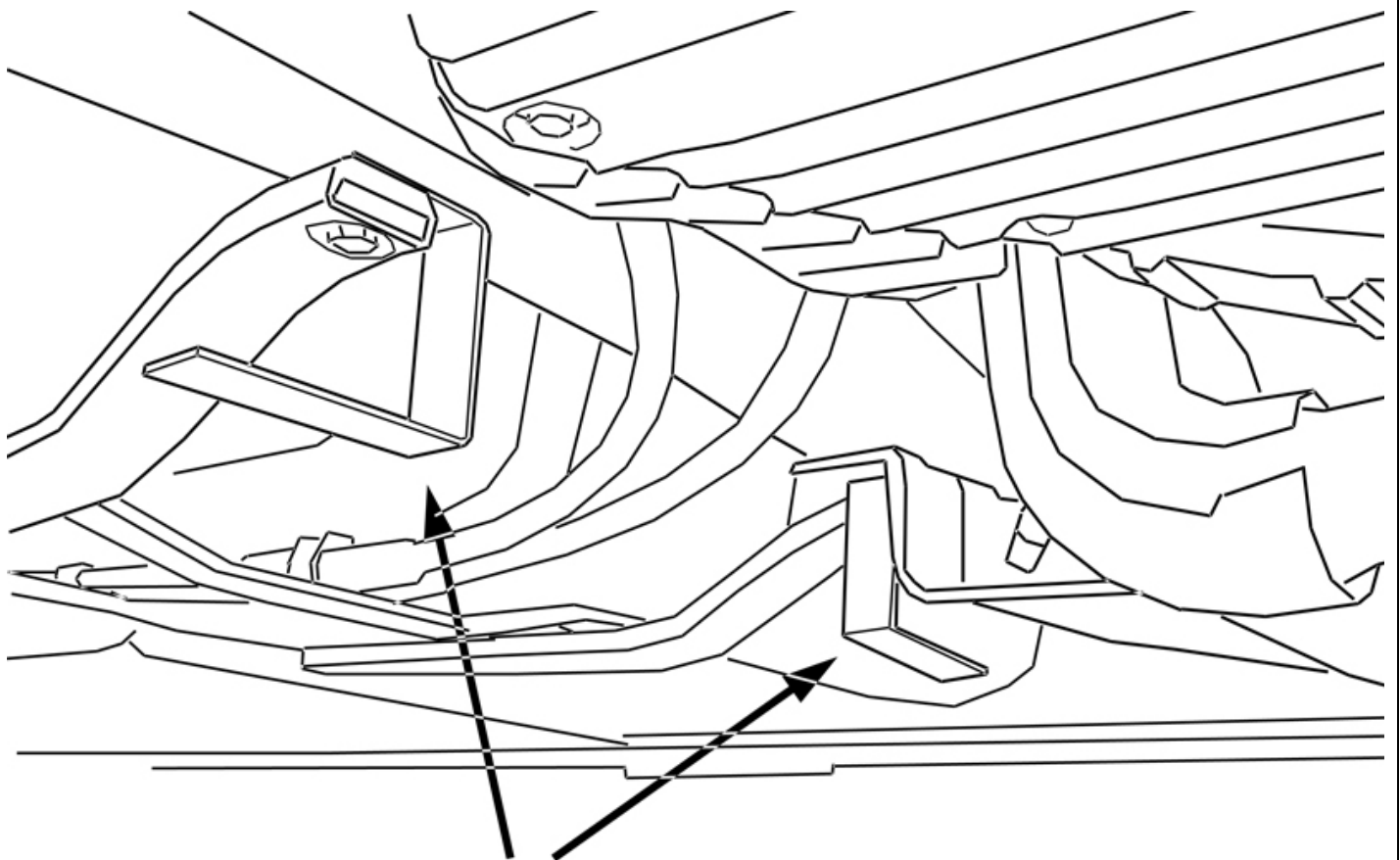
Bracket Install



There are two C-Brackets which are identical.

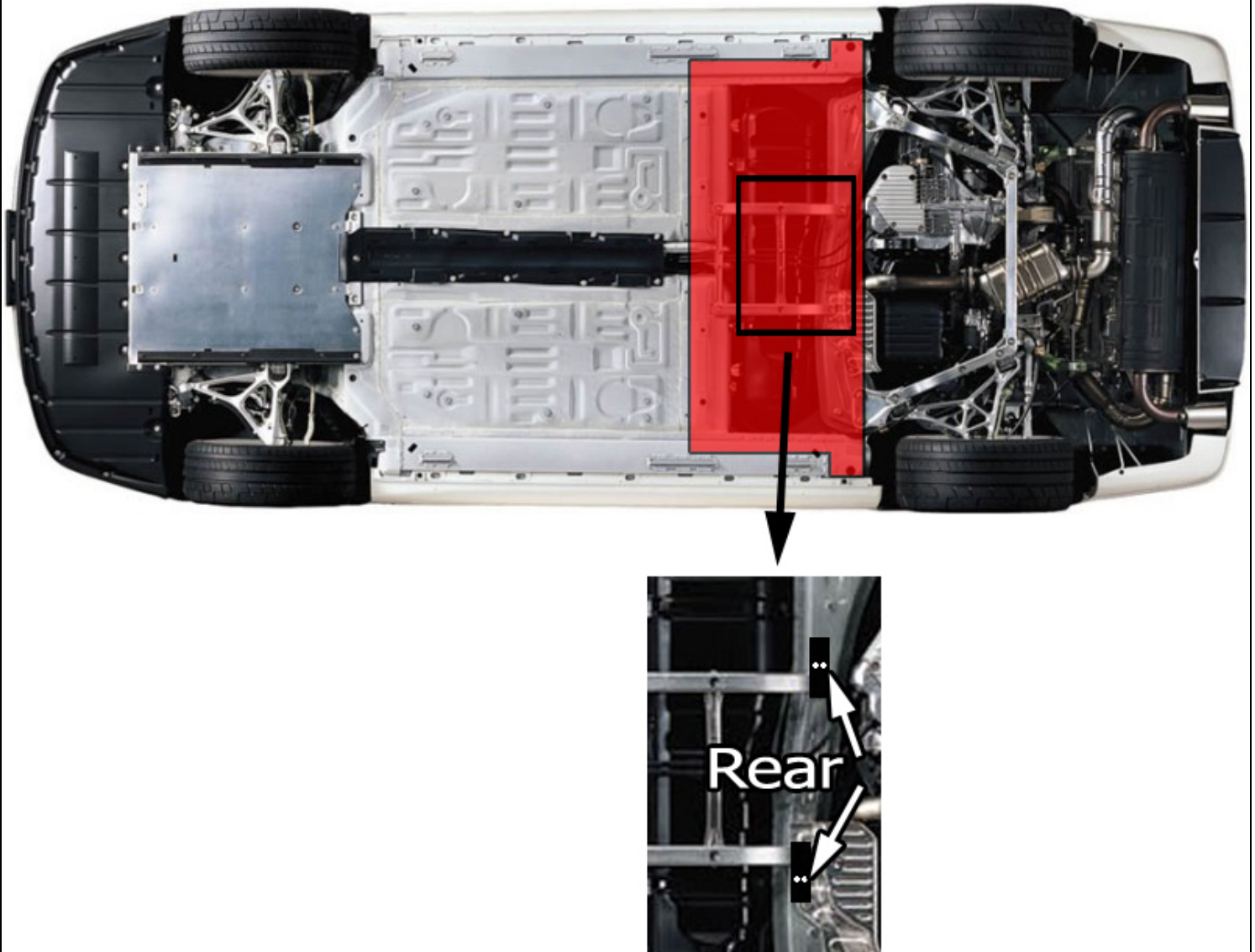
Remove the 14mm bolts and slide the C-Brackets under the rails. Reinstall the 14mm bolts. Try to keep the brackets horizontally straight.

Do not tighten the brackets until the tray is aligned to the NSX.



BRACKETS INSTALLED

2 Tray Alignment



The rear edge is to be flush against the rear corners of the NSX.

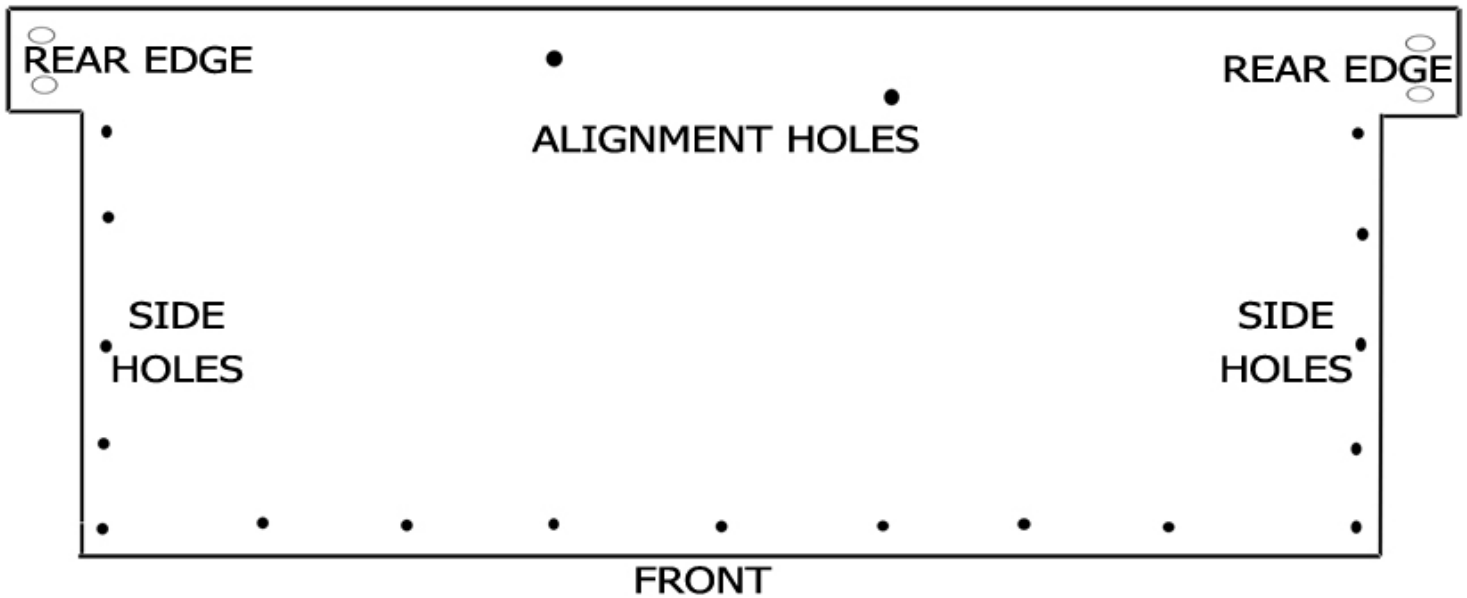
Use the rear facing holes for the mounting.

If the bracket does not align to the tray perfectly you can bend the brackets very slightly to fit. Do not bend the brackets more than 1/4" in distance, recheck the bracket installation.

After the alignment, tighten the brackets into the car using 43 ft/lb of torque.

Use the two smaller screws only for the brackets.

3 Tray Mounting



Once the two bracket screws are attached and the corners checked for alignment, proceed to tap all of the holes on the fuel tray into the body of the NSX. Use a 4.0mm drill bit or a 0.16" drill bit.

Start with the center section of the front side. Then work your way towards both sides of the NSX.

Then move on to the side holes starting from the front and working your way towards the rear edge.



The rear edge require two screws per side. You will need to use a sealer washer with these screws. The rubber of the washer should be touching the fuel tray.